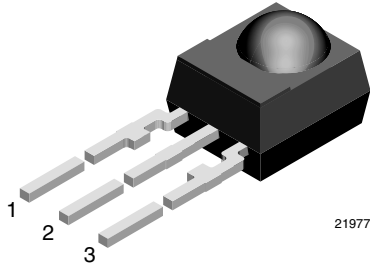
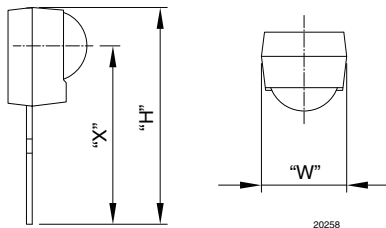


IR Receiver Modules for Remote Control Systems



21977



20258

FEATURES

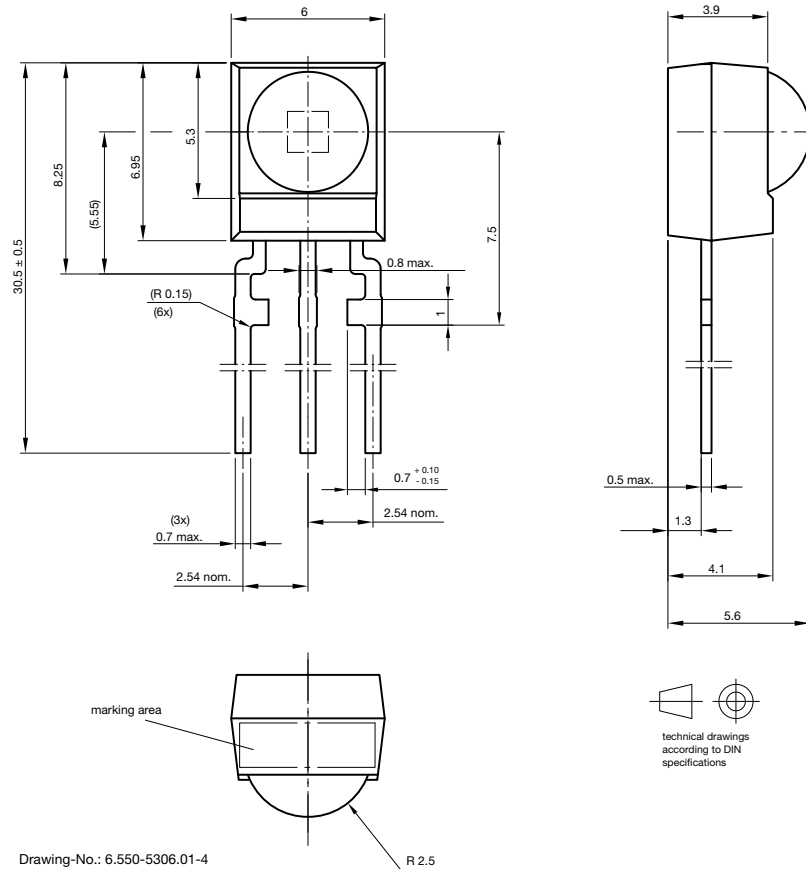
- Compliant to RoHS directive 2002/95/EC and in accordance to WEEE 2002/96/EC


AVAILABLE FOR:

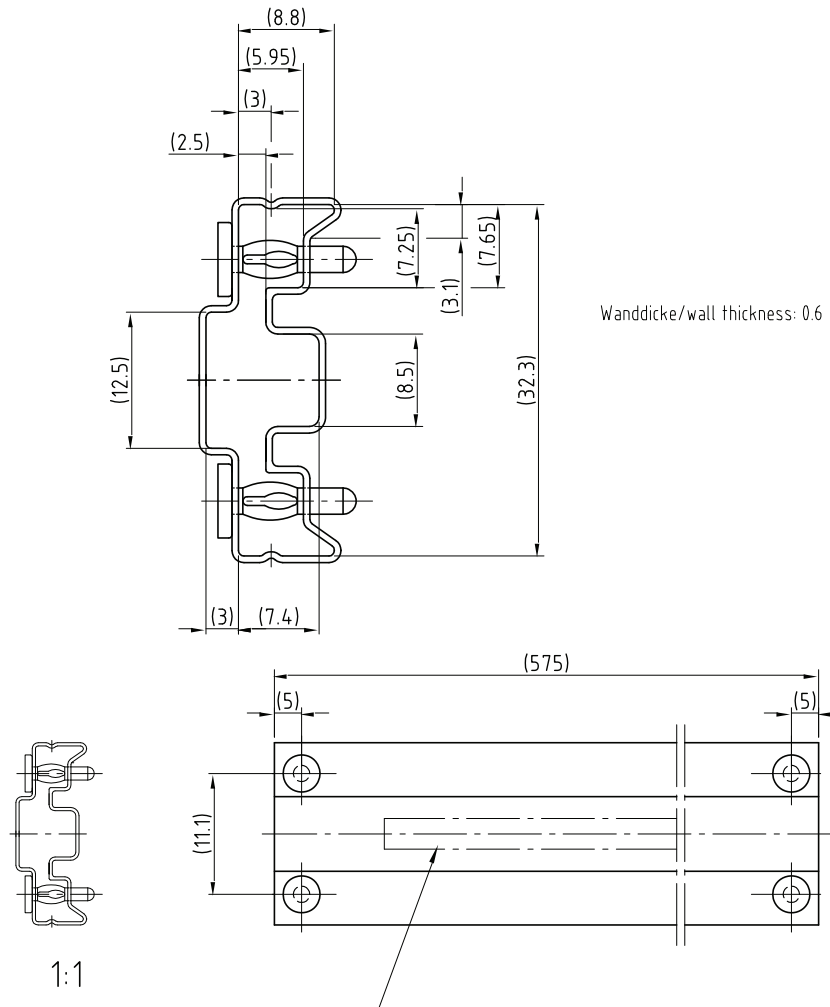
- TSOP34...
- TSOP4....
- TSOP32...
- TSOP2....


RoHS
COMPLIANT

| NAME | LENS AXIS (X) | VIEW | TYPE | HEIGHT (H) | WIDTH (W) | DEPTH (D) |
|------|---------------|------|------|------------|-----------|-----------|
| DG1 | 27.8 | | Cut | 30.5 | 6 | |

MECHANICAL DIMENSIONS in millimeters


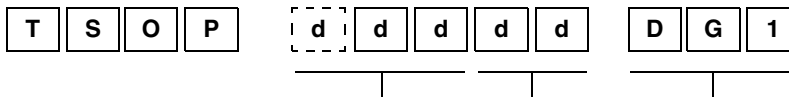
PACKAGING DIMENSIONS in millimeters



Drawing-No.: 9.700-5185.0-4
 Rev. 13; Date: 20.11.03
 20273-1

Druck / Printing for tubes
 1.400-5548.0-3 Version 1

ORDERING INFORMATION



2 or 3 digit product series 2 digit frequency Holder type

Note

d = "digit", please consult the list of available series on the previous page to create a valid part number.

Example: TSOP34840DG1

PACKING QUANTITY

- 90 pieces per tube
- 24 tubes per carton